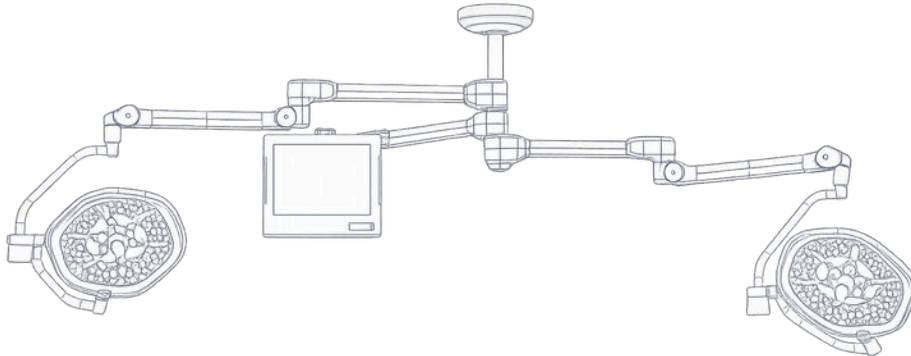


Surgical Operating Light Smyrna+, Double Dome (Ceiling Mounted) + Full HD Camera + Monitor



Manufacturer: Etkin, Turkey

Etkin Smyrna is a modern surgical operating light that combines high performance, energy efficiency, and innovative technology to ensure optimal illumination of the surgical field.



Technical Specifications – Dome

- **Dome diameter:** 700 mm
- **Light intensity:** 160,000 / 130,000 lux (10-level adjustment)
- **Color temperature:** 3500 – 5000 K (3-level adjustment)
- **LED lifetime:** > 60,000 hours
- **Adjustable light field diameter:** 150 – 320 mm
- **Illumination depth (at 20% intensity):** 1900 mm
- Endo mode with adjustable intensity
- **Power supply:** 220 V, 50–60 Hz
- **Battery (optional):** Up to 4 hours

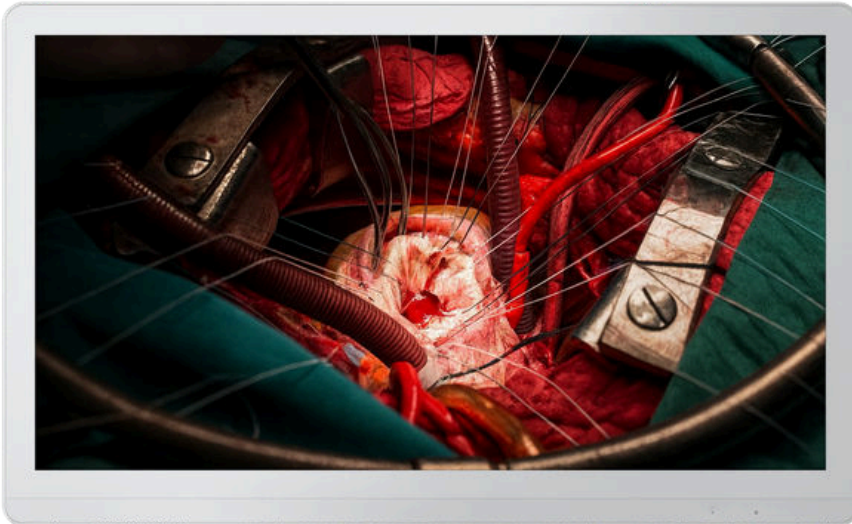
Full HD Camera

The integration of a Full HD camera into the surgical light head allows surgeons to view fine details of the operating field more clearly on the monitor in the operating room. This significantly reduces risks during complex surgical procedures by providing enhanced visualization and precision.

The Full HD camera features:

- Resolution: 1920 × 1080
- 12× digital zoom
- 10× optical zoom
- Automatic / manual focus
- Automatic / manual iris control
- Image rotation
- And many other advanced functions

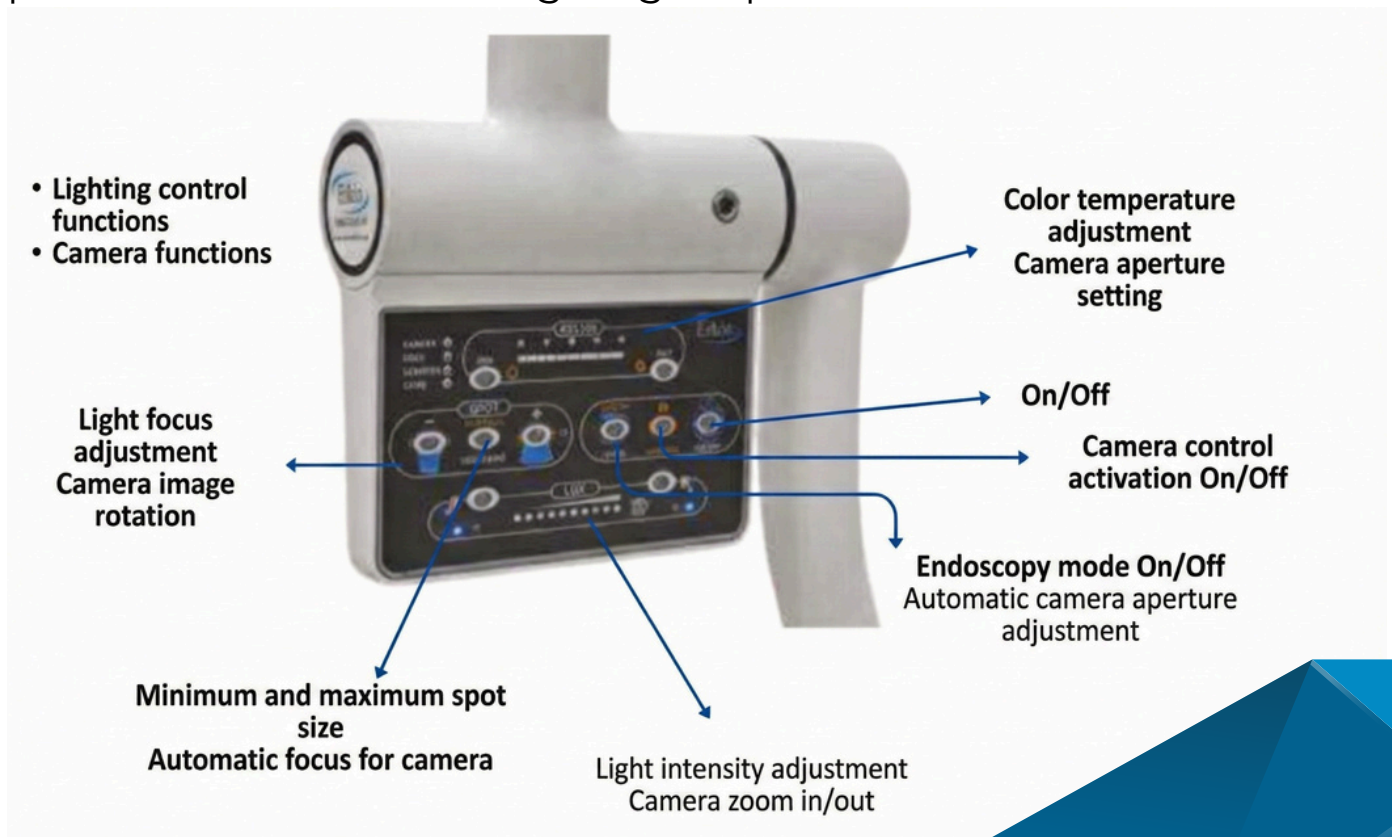




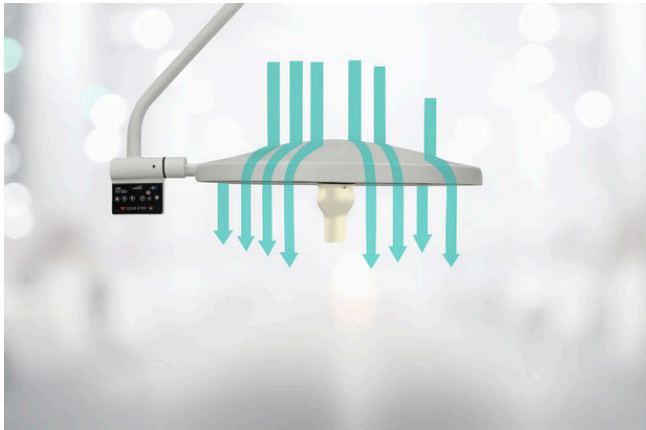
Medical Monitor

High-resolution images captured in Full HD and Ultra HD formats from surgical lights can be transmitted to multiple medical monitors without the need for additional cables.

Thanks to the exceptional level of detail and image clarity provided by Full HD and Ultra HD, the system fully meets the stringent requirements of the operating room, ensuring precise visualization during surgical procedures.



Advantages of the Etkin Smyrna Surgical Light



Laminar Airflow

The design of the light head ensures an ideal laminar airflow, effectively controlling air turbulence and minimizing the risk of bacterial contamination in the surgical field.



Internal and External Endoscopic Modes

Dedicated internal and external endoscopy modes provide optimal illumination for closed surgical procedures such as endoscopy and laparoscopy, ensuring maximum visual comfort for the surgeon.



Shadow-Free Lighting

An ergonomic light head design that minimizes shadows caused by the surgeon's head or shoulders, ensuring a clear and consistently illuminated operating area.



MEDICAL TREST

Anti-shadow Sensor:

Obstacles affecting illumination are detected to prevent shadow formation and light loss, ensuring uniform lighting via intelligent LED module control.

Adjustable Color Temperature:

Color temperature is adjustable from 3,500K to 5,000K.

Integration with HIS:

ETKIN surgical lights easily connect to hospital information systems (HIS). Light functionality, camera images, and video archiving are integrated into existing HIS.

Integration
Full HD camera

Latest LED Chip Technology:

LED chip technology ensures a minimum minimum lifespan of 60,000 hours, regardless of color and intensity.

Ergonomics:

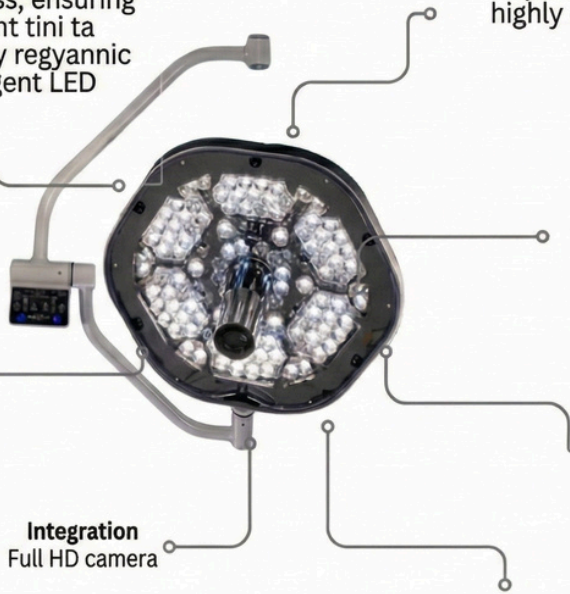
Improved manipulator mechanics ensure highly effective maneuvering for focusing on the work area.

Uninterrupted Light:

If any module fails, others continue to work for uninterrupted illumination.

IP54

Antibacterial coating on the light head.



Mechanical Anesthesiology Pendant – Shalya



Enhanced Ergonomics and Comfort for Medical Staff

The Shalya pendant ensures convenient positioning of all necessary instruments and equipment, significantly reducing physical strain on medical personnel. The system can be easily adjusted to individual user needs, improving workflow efficiency and reducing fatigue during long procedures.

Convenient Connection to Medical Gases and Power Supply

The pendant is equipped with outlets for oxygen (O₂), vacuum, and medical air, allowing fast and safe connection of essential medical equipment.

Built-in electrical sockets of various voltages and automatic circuit breakers simplify the operation of energy-intensive medical devices.

Flexibility and Mobility

The 330-degree rotation of the pendant allows effortless positioning in any operating room layout. This provides easy access to equipment from any point around the operating table, which is especially important during complex or long surgical procedures.

Standard Configuration

- Ceiling-mounted support arm – 1 beam, 900 mm length, 230 kg load capacity, 330° rotation
- Ceiling mounting system
- Distribution module – 1000 mm
- Oxygen outlet (O₂) – DIN (with adapter)
- Vacuum outlet
- Medical air outlet (4 bar) – DIN (with adapter)
- High-voltage electrical sockets 5/15 A (EU) – 12 pcs
- Equipotential grounding points – 2 pcs
- RJ-45 data ports – 2 pcs
- Arm for medical monitor – 1 pc
- IV pole (infusion stand) – 1 pc
- Shelf with side rails (W × D = 500 × 500 mm) – 1 pc
- Shelf with drawer – 1 pc

- **Delivery Time:** Within 30–40 business days across the entire territory of Ukraine from the date of contract signing.
 - **Installation & Commissioning:** Installation, start-up, and calibration are performed by the company's engineers.
 - **Staff Training:** Training on system operation is provided on-site during installation, as well as online training from the manufacturer in Italy, including training on the software operation.
-
- **Warranty Period:** 12 months from the date of commissioning.
 - **Additional Option:** There is an option to sign a post-warranty service agreement.



**MEDICAL
TREST**